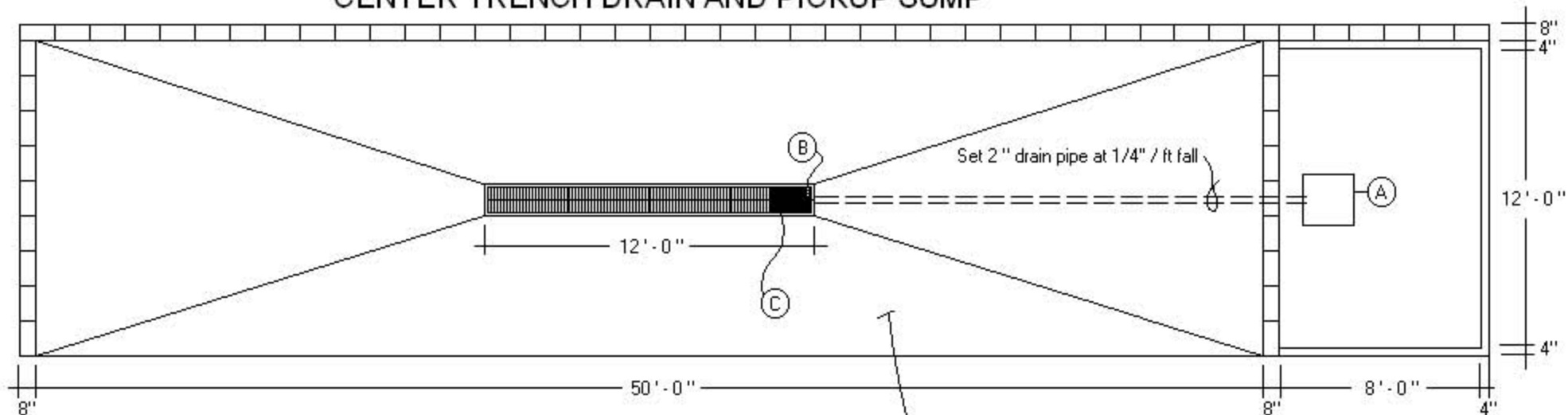


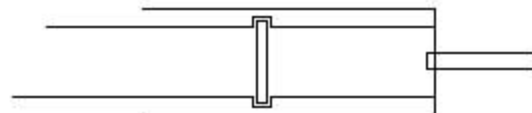
SAMPLE TYPICAL WASH PAD SITE PLAN AND LAYOUT

CENTER TRENCH DRAIN AND PICKUP SUMP

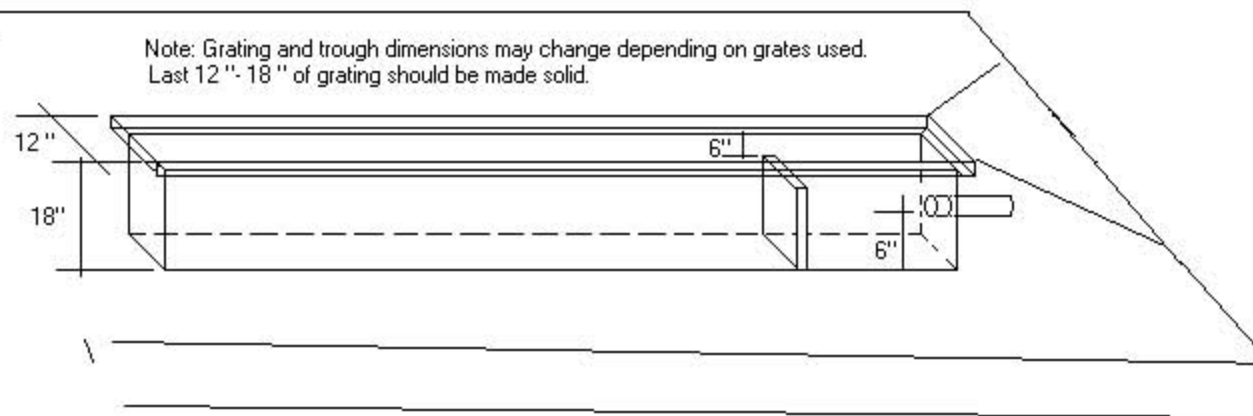


Wash pad fall from corner to center at 1/8" / ft fall

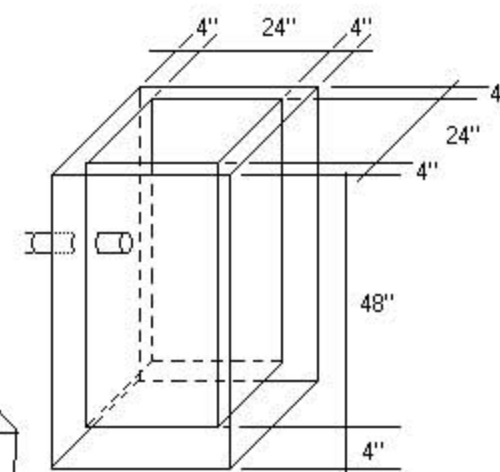
Note: Grating and trough dimensions may change depending on grates used. Last 12" - 18" of grating should be made solid.



C Baffle wall detail
No scale



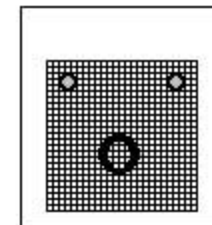
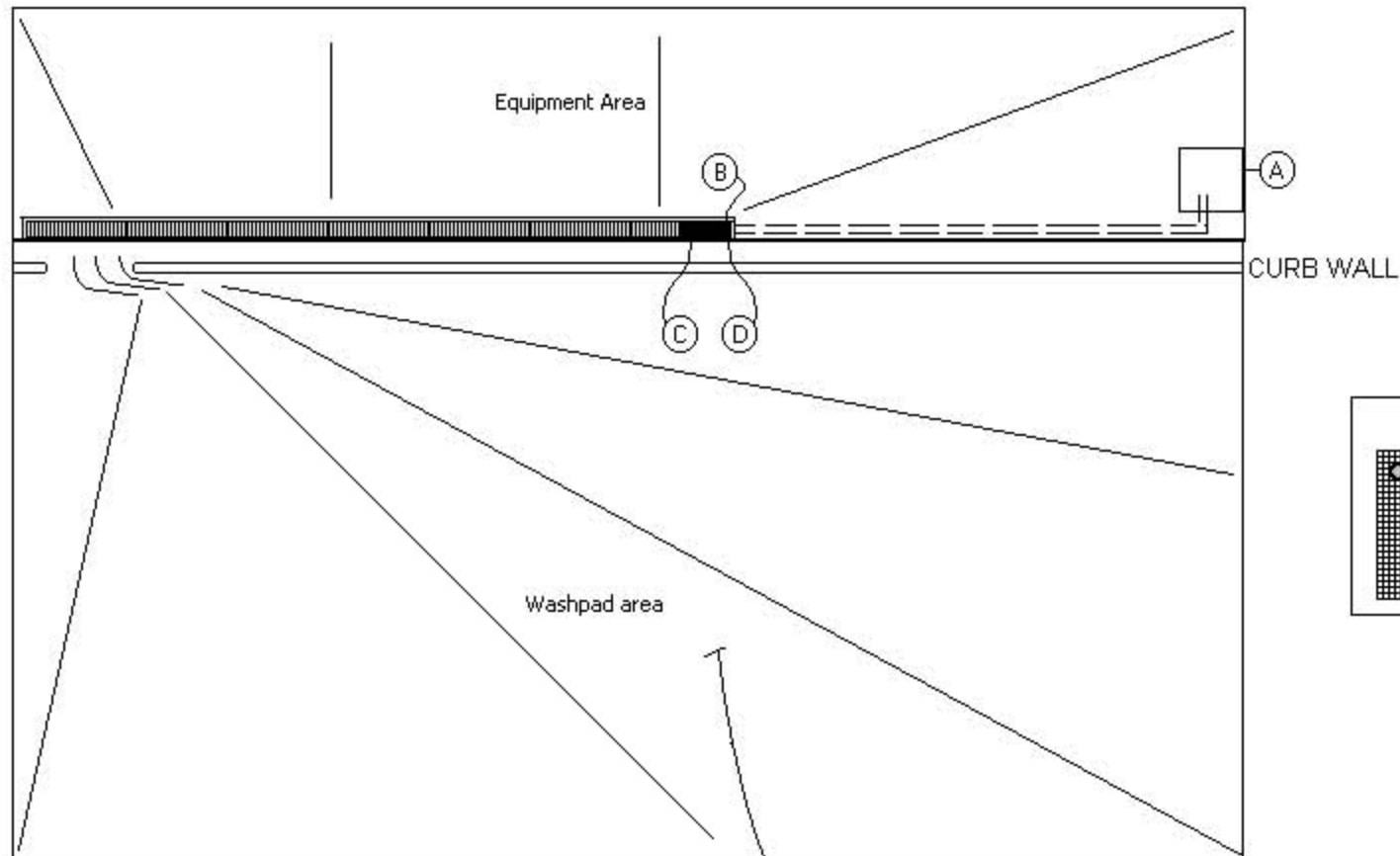
B Trough drain pipe detail
No scale



A Lift station detail
No scale

SAMPLE TYPICAL WASH PAD SITE PLAN AND LAYOUT

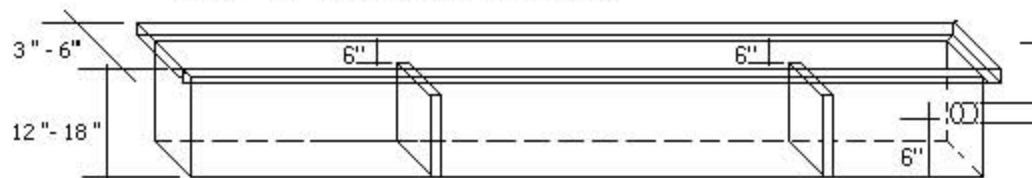
CURB WALL WITH TRENCH DRAIN AND PICKUP SUMP



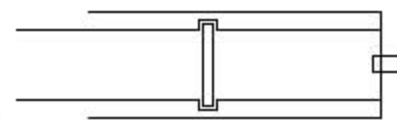
1/2" ϕ SS steel threaded stud type mechanical anchor. Screen attached to stud with SS hex nut with loose SS cut washers.

D Drain pipe screen cover detail
No scale

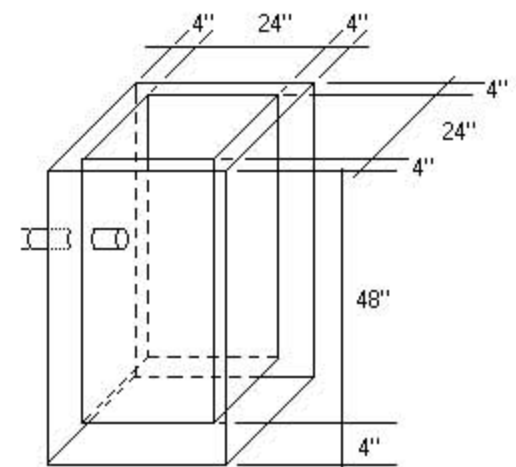
Note: Grating and trough dimensions may change depending on grates used. Last 12" - 18" of grating should be made solid.



B Trough drain pipe detail
No scale



C Baffle wall detail
No scale



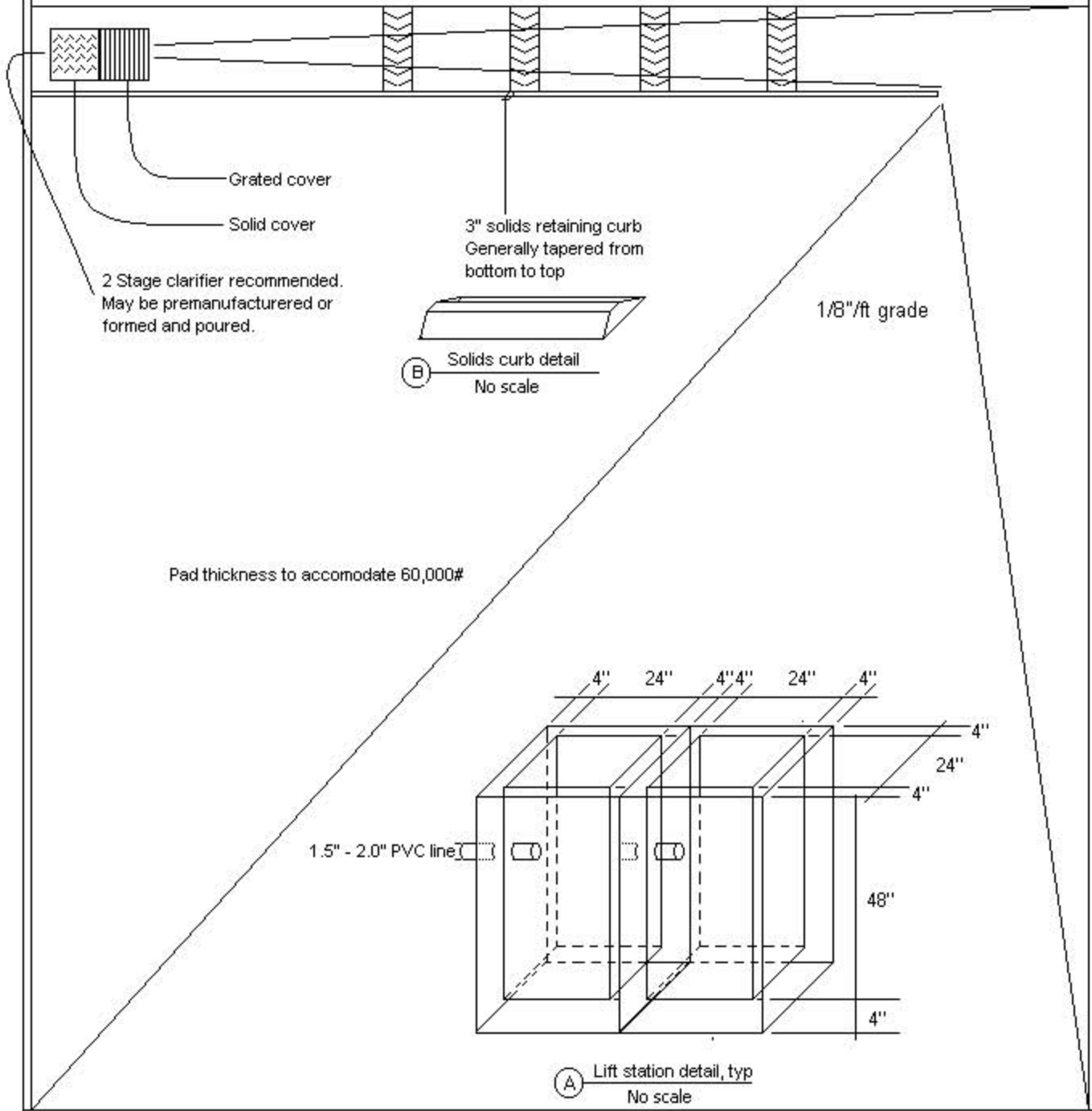
A Lift station detail
No scale

SAMPLE TYPICAL WASH PAD SITE PLAN AND LAYOUT

CURB WALL OPEN TRENCH WITH DEBRIS STOP WALLS AND 2 STAGE SUMP

EQUIPMENT LEVELING PAD

Generally about 3" above finished pad height with a slight grade from back curb towards wash pad area



APPROACH APRON

Size to accomodate grading and pad